

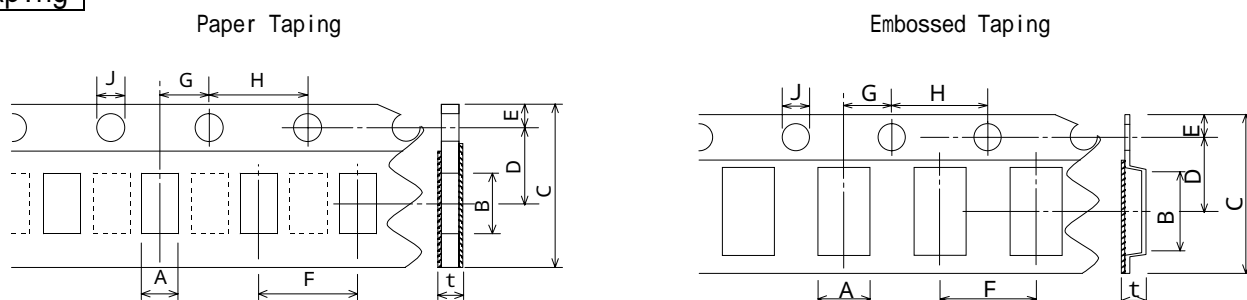
Fixed Chip Resistor Array

Packing specification

Packing Method · Packing Quantity

Type	Packing Method	Packing Quantity			
		180mm Reel	260mm Reel	330mm Reel	
ACN1E2G ACN1E4G	Paper Taping	10,000 PCS/Reel	20,000 PCS/Reel	40,000 PCS/Reel	
ACN1J2G ACN1J2N ACN1J4G ACN1J4B ACN1J8H ACN1J8F ACN1J4N ACN1J8T ACN1J8G		5,000 PCS/Reel	10,000 PCS/Reel	20,000 PCS/Reel	
ACN2A8T		Embossed Taping	4,000 PCS/Reel		

Taping



ACN1E2G·ACN1E4G include \square , 2mm pitch.

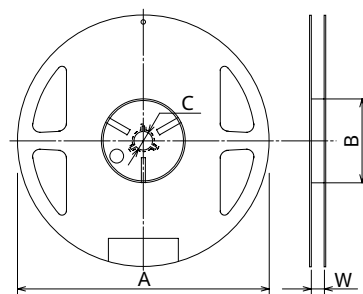
[mm]

Type	A	B	C	D	E	F	G	H	J	t
ACN1E2G	1.20 ± 0.10	1.20 ± 0.10	8.00 ± 0.20	3.50 ± 0.05	1.75 ± 0.10	2.00 ± 0.10	2.00 ± 0.10	4.00 ± 0.10	1.50 ± 0.10	0.45 ± 0.10
ACN1E4G	1.20 ± 0.10	2.20 ± 0.10								0.60 ± 0.10
ACN1J2G	1.80 ± 0.10	1.80 ± 0.10				0.80 ± 0.10				
ACN1J2N	1.85 ± 0.10	1.85 ± 0.10				0.60 ± 0.10				
ACN1J4G ACN1J4B ACN1J8H ACN1J8F	1.80 ± 0.10	3.40 ± 0.10				0.60 ± 0.10				
ACN1J4N ACN1J8T	2.00 ± 0.10	3.50 ± 0.10				0.80 ± 0.10				
ACN1J8G	1.90 ± 0.15	4.10 ± 0.15				0.60 ± 0.10				
ACN2A8T	2.50 ± 0.20	4.40 ± 0.20	12.00 ± 0.20	5.50 ± 0.10			4.00 ± 0.20		1.10 ± 0.20	

Taping Reel

Reel	A	B	C	W
180mm Reel	180 ± 0.0	60 ± 0.0	13 ± 0.2	9.0 ± 0.3
				13.0 ± 0.3 (only ACN2AT8)
260mm Reel	255 ± 2.0	80 ± 1.0	13 ± 0.5	9.5 ± 1.0
330mm Reel	330 ± 2.0	100 ± 2.0	13 ± 0.5	10 ± 1.5

Form and design are examples.



Caution

In operating condition, it should be fully verified suitability of product. In storage condition, it should be kept products with packing in normal temperature and normal humidity and avoided sunshine. We recommend that ACN products use within one year from delivery. If over one year, check mounting and solderability before use it.

The Others

Please consult our business man about the packing specification and resistance value and so on beyond state in this catalog.

Specifications are subject to change without notice. Please confirm us before purchase and /or use.