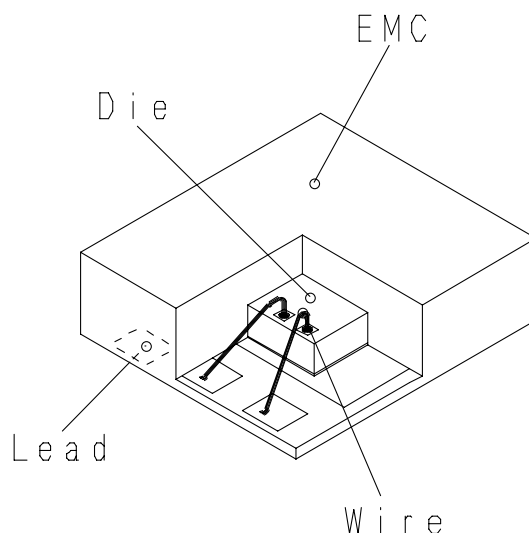


# EXTERNAL DIMENSION

## PL package series



Wide variety of spec is available depending on the customer's requirement.

1. Proper package size (Body Width/Length) according to chip can be proposed.
2. Package thickness (Body thickness) of 0.35/0.58mm is also available.
3. Cu for lead materials is also possible in case non-magnetic material is requested.

The followings are current mass production examples.

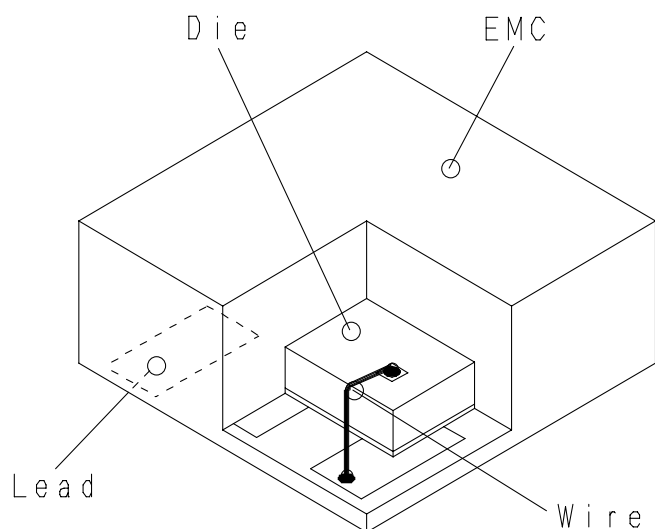
Lead Count	Body Width	Body Length	Body Thickness	Stand-off	Lead Pitch	Lead Material	Die Face Up/Down
2(0603)	0.32	0.62	0.30	-	0.355	Ni	U
3(1212)	1.20	1.20	0.58	-	0.60	Ni	U
4(1010)	1.00	1.00	0.58	-	0.65	Ni	U
4(1216)	1.20	1.60	0.38/0.58	-	0.60	Ni	U
6(1616)	1.60	1.60	0.38/0.58	-	0.50	Ni	U
6(1619)	1.60	1.90	0.58	-	0.50	Ni	U
6(1820A)	1.80	2.00	0.58	-	0.50	Ni	U
6(1820C)	1.80	2.00	0.58	-	0.55	Ni	U
8(2020)	2.00	2.00	0.58	-	0.50	Ni	U
8(2030)	2.00	3.00	0.58	-	0.50	Ni	U
8(2725)	2.70	2.50	0.58	-	0.65	Ni	U
8(3030)	3.00	3.00	0.58	-	0.65	Ni	U
10(2725)	2.70	2.50	0.58	-	0.50	Ni	U
10(2527)	2.50	2.70	0.58	-	0.50	Ni	U
16(2525)	2.50	2.50	0.58	-	0.50	Ni	U
24(3030)	3.00	3.00	0.38	-	0.40	Ni	U
48(6060)	6.00	6.00	0.58	-	0.40	Ni	U

Unit : mm

Please contact our sales department for the detail.

# EXTERNAL DIMENSION

ASON series



Wide variety of spec is available depending on the customer's requirement.

1. Proper package size (Body Width/Length) according to chip can be proposed.

2. Package thickness (Body thickness) of 0.35/0.58mm is also available.

3. Cu for lead materials is also possible in case non-magnetic material is requested.

The followings are current mass production examples.

Lead Count	Body Width	Body Length	Body Thickness	Stand-off	Lead Pitch	Lead Material	Die Face Up/Down
6 (1414)	1.40	1.40	0.58	-	0.50	Ni	U
8 (2618)	2.60	1.80	0.38/0.58	-	0.60	Ni	U
12 (2020)	2.00	2.00	0.58	-	0.40	Ni	U

Unit: mm

Please contact our sales department for the detail.